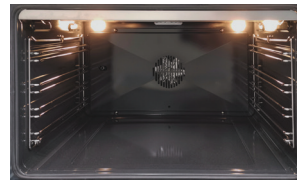


An expression of passion, beauty & functionality

EQ9F-5FI 90cm Freestanding Cooker with Induction Cooktop



EQ9F-5FI ENFASI SERIES FREESTANDING COOKER

FINISH

- available in nero fumo (black smoke)

OVEN FEATURES

- enamelled oven cavity
- 9 multifunction oven
- electric rotisserie
- delay start timer, cooking duration indicator and minute timer
- dynamic lights positioned on the side of the oven at mid-height
- insulated double glass door
- TFT display user interface with knob control

CAVITY & INTERIOR

- oven cavity (cm): 60 wide x 40 deep x 33 high
- oven temperature 50-265°C
- oven shelf
- telescopic smooth glide oven rail
- enamelled baking tray
- cavity cooling fan

STORAGE

- fold down storage compartment

Colour Options



nero fumo

COOKTOP FEATURES

- 5 induction zones
- rectangular zone layout, automatically detecting the shape and size of the cookware to adjust the heated zones accordingly
- flex zone
- booster function
- pan recognition
- function electronic display
- high quality toughened glass

SAFETY & THOUGHTFULNESS

- pan recognition (cooktop will not operate without detecting a pan or pot)

BURNERS

- 2 x 1850 watt
- 1 x 2300 watt
- 2 x 2100 watt FLEX-zones
- total electrical consumption (cooktop): 10.3kw/h

ORIGIN

- made in italy

WARRANTY

- 5 years

TECHNICAL INFORMATION

- See page 2

Colour Options



matt black
(standard)

An expression of passion, beauty & functionality

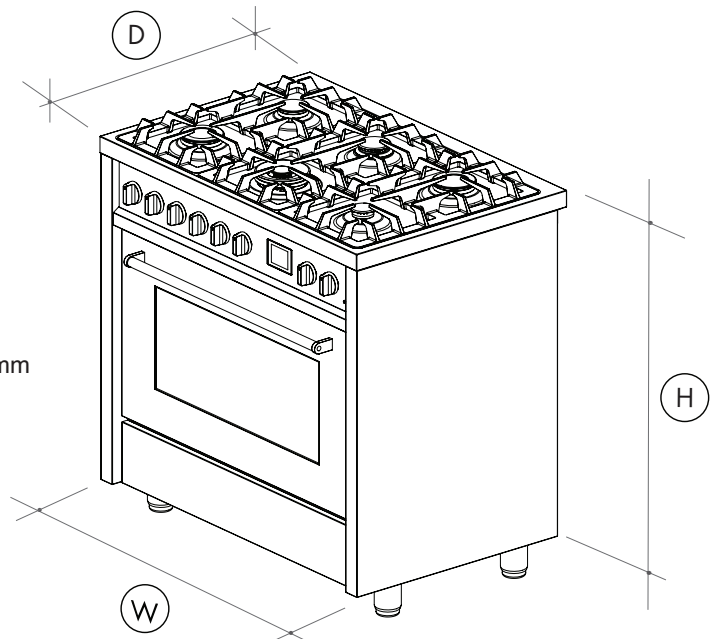
EQ9F-5FI 90cm Freestanding Cooker with Induction Cooktop



Stile in cucina



- W** 900mm
- H** 820mm (without feet)
Feet height is adjustable from 86mm-131mm
- D** 600mm
626mm (to door handle)



NB: drawings are not to scale — for detailed installation instructions, please refer to user guide.

90cm Freestanding Cooker with Induction Hob
Total oven power: 2.9 kw/h
Total cooktop power: 7.4 kw/h
Total power: 10.3 kw/h

SC01052025

DISCLAIMER

Worldwide appliances Pty Ltd, is continually seeking ways to improve the design specifications, aesthetics and production techniques of its products. As a result alterations to our products and designs take place continually. Whilst every effort is made to produce information and literature that is up to date, this brochure should not be regarded as an infallible guide to the current specifications, nor does it constitute an offer for the sale of any particular product. Product dimensions indicated in our literature is indicative only. Actual product only should be used to define dimension cut outs. Distributors, and retailers are not agents of Eurolinx or Worldwide appliances and are not authorised to bind Worldwide appliances by any express or implied undertaking or representation.

FOLLOW US ON:  [/steel_cucine_australia](https://www.instagram.com/steel_cucine_australia)

[steelcucine.com.au](https://www.steelcucine.com.au)

NSW & ACT (Head Office)
48-50 Moore Street
Leichhardt
F 02 8569 4699

Victoria
2r/131 Church Street
Hawthorn

QLD
Contact Head Office

WA & NT
Contact Head Office

National Telephone Number 1300 694 583
For showroom opening times, visit our website